

Multi-Deck FC20-07 X7 (Cuba Door)

Edition
black&steel



- ▼ Specialized refrigerated Multi-Deck FC20-07 X7 allows efficient use of trading space thanks to its compact external dimensions and ergonomic design
- ▼ Glass doors of Multi-Deck made by FRAMELESS technology (frameless glazing) will draw attention to the product and are designed to create optimal climate

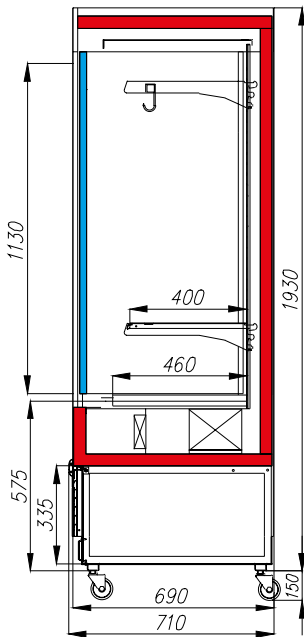
Carboma®



TECHNICAL PARAMETERS

Model	Overall dimensions, mm	Net volume, m ³	Operating temperature, °C
0,7	740x710x1930 (2080)	0,41	-5...+5
1,0	1060x710x1930 (2080)	0,61	-5...+5
1,3	1330x710x1930 (2080)	0,78	-5...+5

FC20-07



STANDARD COLOUR SOLUTIONS

RAL9005



INOX



COLOUR SOLUTIONS

RAL9006



RAL9005



RAL1015



RAL1023



RAL6029



RAL3020



RAL5017



Wood



Climate class: 3

Multi-Decks are designed for use indoors with natural ventilation at ambient temperature from +12°C to +25°C and relative humidity not more than 60%.

OPTIONS:

- protective bumper (stainless steel pipe.)
- LED backlight
- any color scheme of the case, silk screen printing glass (RAL)
- possibility of branding
- additional shelves with brackets
- limiters on the shelf
- candicecardinele H-39
- tinted double-glazed Windows of sidewalls and doors

1 **Frameless glazing** - fast and high quality maintenance of glass, no corners for accumulation of fat

2 **Castors for transporting** product from the refrigeration compartment to the area of the demonstration

3 A careful **system of ventilation** to preserve humidity and prevent weathering



Edition INOX



Frameless glazing